



F  L G A T

Photovoltaic system 3,6 kWp for roof-top installation

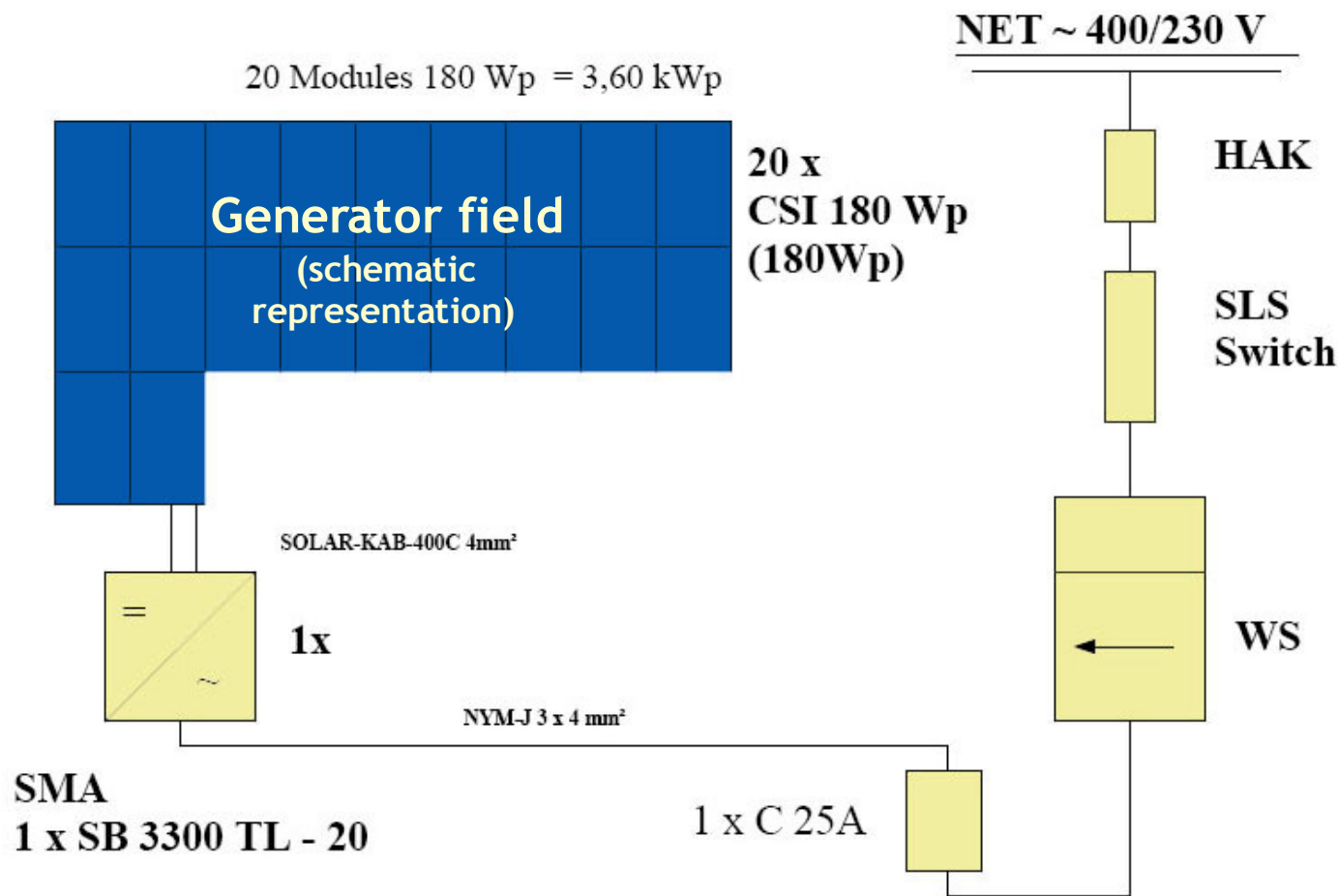
(company proposal)

FOLGAT AG - Frankfurt am Main - Germany



Schematic representation of a system layout

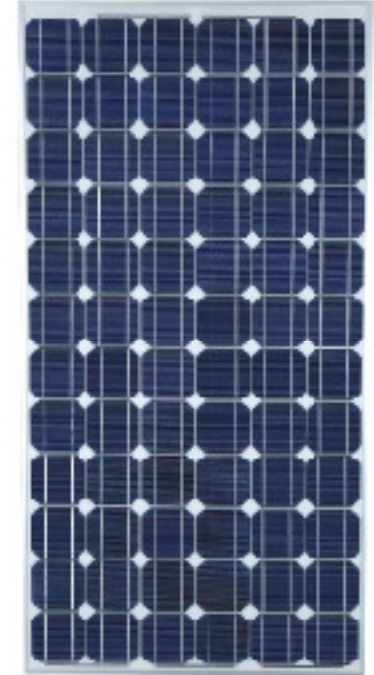
Total system size: 3,6kWp





Solar module CS5A-160/170/180

CS5A is a robust all-purpose solar module, that can be used for on and off-grid solar power station as well as for roof-top solar systems on residential, commercial and industrial buildings.



APPLICATIONS

- ▶ Residential roof-top systems
- ▶ Commercial/industrial building roof-top systems
- ▶ Rural electrification
- ▶ Large on and off-grid solar power stations
- ▶ Other industrial and commercial applications



Sunny Boy SB 3300 / SB 3800

Best efficiency for transformer inverters in 4 kW class

OptiCool system is a sturdy aluminum housing with a double-chamber design safely protects the electronic components from dust and water for long term performance of the inverter.



OptiCool:

Maximum power up to an ambient temperature of 45 °C due to dual compartment cooling system.

SMAgrid guard 2:

Automatic disconnection

Electronic Solar Switch ESS:

Integrated DC circuit breaker (optional)

Flexible application

5 years SMA Warranty



PV system 3,6 kWp

Item list

Pos.	Amount	Units	PRODUCT NAME
Assembly components energy field			
1	20	St.	Modules Canadian Solar CS5A-180
2	64	St.	Module clips
3	2	St.	Lumberplug for string connection (4730 -2)
4	128	St.	Hexagon socket M8 x 20 VA
5	128	St.	Locking ring 8 VA (extra schmal)
6	128	St.	Square nut m8 V4A
7	25	St.	Roof hook standard 2 with screws
8	25	St.	Hexagon screw M10 x 20 VA
9	25	St.	Flange nut with interlocking barrier M10 V4A
10	25	St.	U-girder for M10
11	8	St.	Carrier profile solo 05 a. 6,00 m
12	3	St.	Cross girder connection set, solo panel kpl. Pre-assembled
13	26	St.	Cross connector click-top set
Electrical material			
14	1	St.	MC 4 plug 4 qmm for converter connection
15	1	St.	MC 4 coupling 4 qmm for converter connection
16	50	m	Solar - Cab 400 C 4 qmm
17	50	m	H 07 V -K 16 qmm gn/ge
Converter			
18	1	St.	Converter SB 3300 TL HC



CONTACTS

FOLGAT AG

Melsunger Str. 9, D-60389,
Frankfurt am Main, Germany

tel.: 49 69 95297164

fax: 49 69 95297165

www.folgat.com

solar@folgat.com